

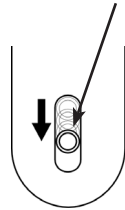
Upright™ Shades

IMPORTANT

In compliance with national safety regulations shades will not operate unless the cord tensioner is installed correctly! After the shade is installed, the cord tensioner must be secured to the wall.

1. Locate the tensioner as close to the shade as possible without interfering with the shade.

(A) Screw Hole



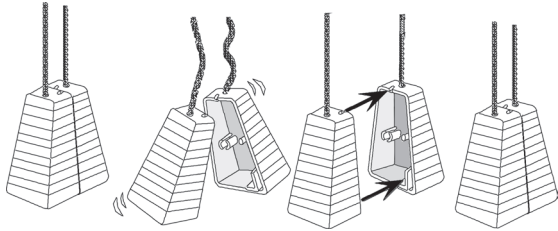
2. Make sure the screw hole (A) on the cord tensioner is pulled half way down before mounting. This will ensure the cord can move freely through the cord tensioner.

3. For IM installations attach the cord tensioner directly with a screw through the screw hole. For OM installations use the supplied mounting bracket (B).



(B) Mounting Bracket

Break-Through Tassels



The tassel is designed to break apart to protect children and pets. To reassemble, simply snap halves back together as shown.

To reassemble the four cord tassel, place loose cords in slot in top of tassel halves and snap back together.

Warning

Young children can STRANGLE in cord and bead chain loops. They can also wrap cords around their necks and STRANGLE.

- Always keep cords and bead chains out of children's reach.
- Move cribs, playpens, and other furniture away from cords and bead chains. Children can climb furniture to get to cords.
- Attach a cord guide to the wall. This can prevent children from pulling cords and bead chains around their necks.



Warranty

B&W Window Fashions warrants that its Horizons products - properly installed in a residential dwelling will be free from defects in materials and workmanship for as long as the original purchaser owns the product. All fabric colors tend to lose their original intensity over time, and pull cords eventually wear out. This is considered normal wear and tear and is not covered by this warranty. Abuse and misuse are not covered. Color lots vary and may not exactly match a previously ordered product. Repair is the purchaser's sole remedy under this guarantee. This warranty does not cover incidental or consequential damages, installation or service calls.

B&W Window Fashions
Waukegan, Illinois

Installation Instructions for

Horizons™
by B&W

Shades of Elegance Roman Shades



Congratulations on
the purchase of your new
Horizons™ Shades of Elegance
Roman Shades

Horizons™
by B&W

"New York" Bracket Installation



Diagram A

Step 1: Prepare the Headrail

- The headrail of your shade has been notched for New York brackets before being wrapped with fabric. (Diagram A)

- The number of notches is equal to the number of New York brackets. (Diagram B)

Diagram B

Shade Width	# of Brackets
0-48"	2
48"-84"	3
84-96"	4

- The factory has pre-slit the fabric to allow the post of the New York bracket. (Diagram C)

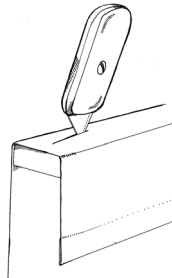


Diagram C

Step 2: Put Up the Brackets

- Install the New York Brackets in the window to line up with the slits in the headrail. (Diagram D)

- Remove the wing nuts from the "New York" brackets and slide the shade into position by sliding the shafts of the brackets into the slots cut into the top of the headrail.

"New York" Bracket



Diagram D

Step 3: Secure the Shade

- While holding up the shade, reattach the wing nuts to the "New York" brackets and tighten.

"L" Bracket Installation

Step 1: Mount the Brackets

- The "L" brackets are intended for outside (frame or wall) mount only. For Horizons™ Shades of Elegance™ Roman Shade the bracket is usually mounted with the prong at the top. However it may be mounted with the prong at the bottom if necessary (Diagram E).

"L" Bracket

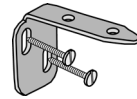


Diagram E

- Mount the brackets securely using the holes as shown. Screws provided are appropriate for wood installations, or use your own fasteners.

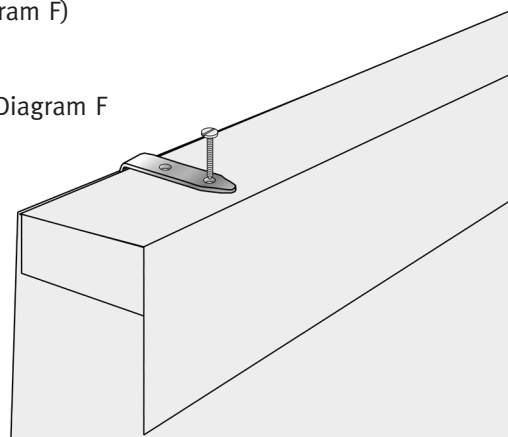
- The two end brackets should be installed within 3 inches of ends of the headrail. Space any additional brackets evenly.

- The brackets are installed so that the prong lines up with where you want the top of the shade to be.

Step 2: Put Up the Shades

Hold the shade up under the brackets, centered on the window. A second person may be needed to hold larger shades. Fasten screw from the top down through the bracket into headrail. (Diagram F)

Diagram F



2" or 3" Screw Installation

Note: Installation with 2" or 3" screws is intended for inside or ceiling mount only. No bracket is required.

Step 1: Insert Mounting Screws

With the shade down, insert the mounting screws from the bottom side of the headrail into the pre-drilled pilot holes.

Step 2: Position Shade

Hold the shades up and position it in the window opening. Drive the mounting screw up through the headrail right into inside of the window opening, soffit, or ceiling. (Diagram G)

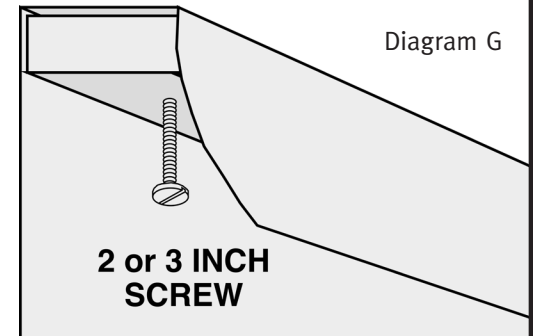


Diagram G