

Head Rail Measurement Reference Guide

Please keep the following hardware measurements in mind when measuring for and installing Encore and Signature Collection Cellular and Pleated Shades.

Universal Hardware System Head Rail

Depth: $1\frac{7}{16}$ "
Height: $\frac{1}{2}$ "

Universal Deluxe Hardware System Head Rail

Depth: $1\frac{7}{8}$ "
Height: $\frac{1}{2}$ "

Omni-Rise Continuous Cord Loop System Head Rail

Depth: $1\frac{11}{16}$ "
Height: $1\frac{5}{16}$ "

Chordless Child Safety System Head Rail

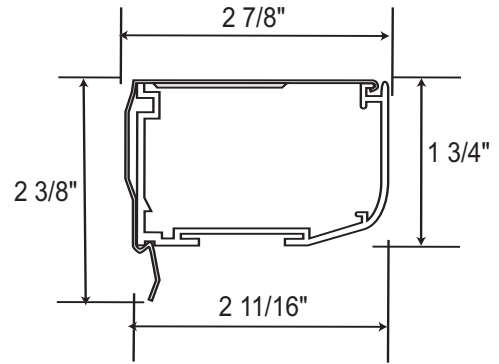
Depth: $2\frac{11}{16}$ "
Height: $1\frac{3}{4}$ "

Chordless Ultra Cordless Hardware System Head Rail

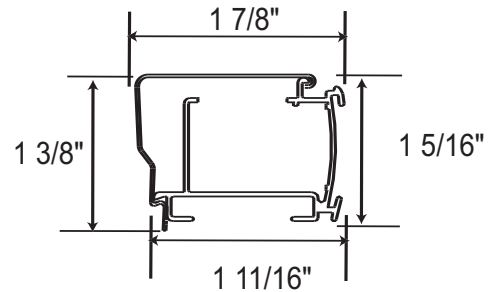
Depth: $1\frac{11}{16}$ "
Height: $1\frac{5}{16}$ "

Soprano Skylights and Greenhouses Head Rail

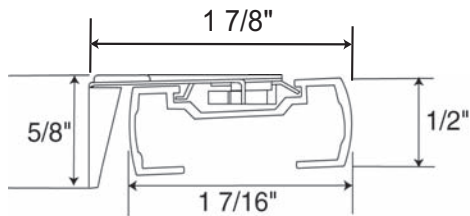
Depth: 2"
Height: $1\frac{5}{8}$ "



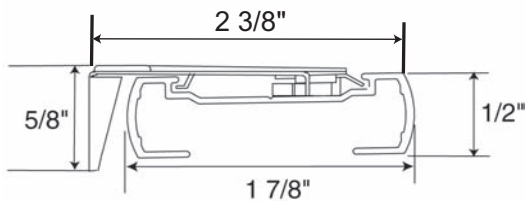
Chordless Child Safety System Head Rail



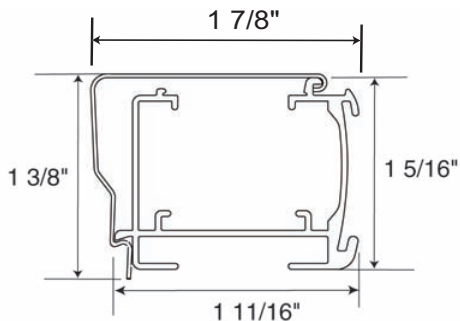
Chordless Ultra Cordless System Head Rail



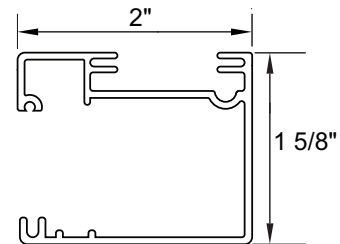
Universal Hardware System Head Rail



Universal Deluxe Hardware System Head Rail



Omni-Rise Continuous Cord Loop System Head Rail



Soprano Skylights and Greenhouses Head Rail

Finished Dimensions for all shades except Ovation Cellular Sliders

Inside Mount

- Fabric will measure ordered width less: $\frac{3}{8}$ "
- Head Rail* will measure ordered width less: $\frac{3}{16}$ "

Outside Mount

- Fabric will measure ordered width
- Head Rail* will measure ordered width plus: $\frac{3}{16}$ "

Exact (End Cap to End Cap)

- Fabric will measure ordered width less: $\frac{3}{16}$ "
- Head Rail* will measure ordered width

* Head Rail Measurements include end caps.

Width and Length Measurements may vary +/- $\frac{1}{8}$ "

Finished Dimensions for Ovation Cellular Sliders

Inside Flush Mount

Track Width:

- Right or Left Stack $\frac{3}{16}$ " less than ordered width
- Split Stack $\frac{3}{16}$ " less than ordered width
- Center Stack $\frac{3}{16}$ " less than ordered width

Finished Slider Length: $\frac{1}{2}$ " less than ordered length

Valance: $\frac{3}{16}$ " less than the ordered width

Outside Mount

Track Width:

ordered width

Finished Slider Length:

ordered length - **No deductions will be made.**

Valance:

ordered width plus $1\frac{1}{4}$ "

Valance returns:

will measure $3\frac{1}{8}$ " (standard)

No Charge Options

Special Cord Lengths

Hold Down Brackets

Spacer Blocks

Extension Brackets

Cord Cleats

Side Mount Brackets*

* Side mount brackets can only be used with standard rectangular, Duofolds, Day-Night and specialty shades. Other hardware systems utilize extension brackets to mount shades. See page 86 for recommended side mount methods.

Cut Outs

Cut-outs are available with all cellular fabrics except Perfect Pitch. Cut-outs are \$132.00 per side and are subject to approval by the Comfortex Technical Service department.

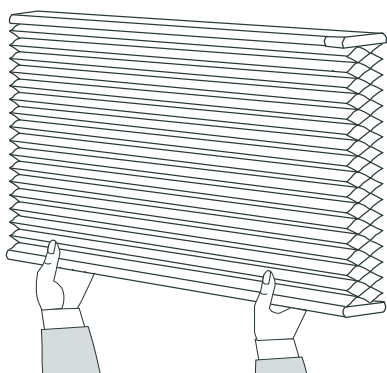
There are no limits on cut out lengths. There are limits on cut out widths:

- Cellular shade widths 18" or less 3" maximum width
- Cellular shade widths greater than 18" 5" maximum width
- Pleated shades 2" maximum width

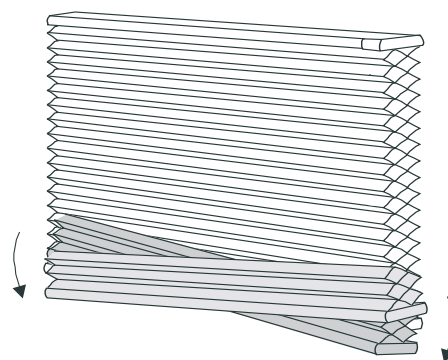
Easy Equalization (EZ-EQ) Method

All Comfortex Cellular Shades built with the Standard Rectangular, Duofold and Omni-Rise hardware are fabricated with the EZ-EQ method. Pleated and Perfect Pitch shades do not use this method.

EZ-EQ uses a continuous cord inside the shade, which allows easy leveling of the bottom rail. If a shade should require equalization adjustment, follow the method below.



Stand in the center of the shade and grasp the bottom rail with both hands. **DO NOT PULL DOWN ON AN OMNI-RISE BOTTOM RAIL.** For cord-lock operated shades, give the bottom rail a slight tug. This will fully engage the cord-lock.



Position the bottom rail as desired, by pulling down on the side that is too high.

Width Limit for Side Mount Brackets

Comfortex recommends a 48" width limit on shades installed with side mount brackets.

Required Mounting Surface for Side Mounting Shades with Universal Hardware:

Standard Rectangular

- Minimum Side Mount Surface: 1 1/8"
- Minimum Flush Side Mount Surface: 1 5/8"

Omni-Rise

- Minimum Side Mount Surface: 1"
- Minimum Flush Side Mount Surface: 2"

Chordless

- Minimum Side Mount Surface: 1"
- Minimum Flush Side Mount Surface: 2 7/8"

Chordless Ultra

- Minimum Side Mount Surface: 2"
- Minimum Flush Side Mount Surface: 2"

Required Mounting Surface for Side Mounting Shades with Universal Deluxe Hardware:

Standard Rectangular

- Minimum Side Mount Surface: 1 3/8"
- Minimum Flush Side Mount Surface: 2"

Omni-Rise

- Minimum Side Mount Surface: 1 3/8"
- Minimum Flush Side Mount Surface: 2"

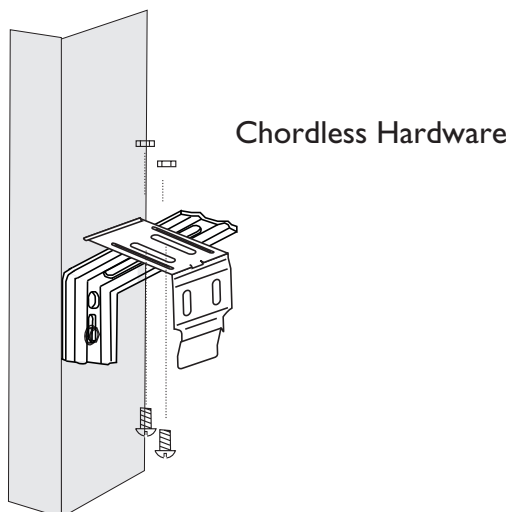
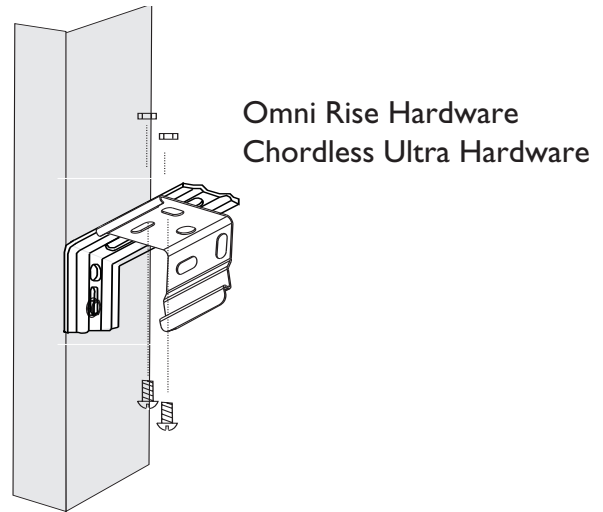
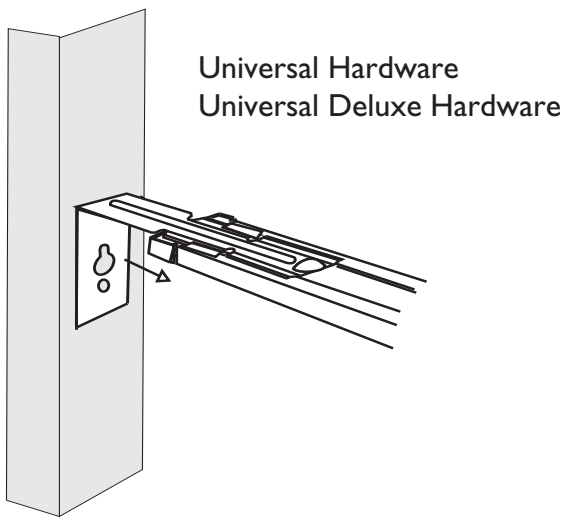
Chordless

- Minimum Side Mount Surface: 1"
- Minimum Flush Side Mount Surface: 2 7/8"

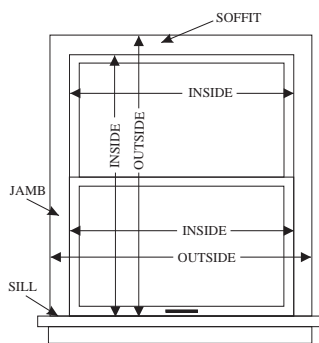
Chordless Ultra

- Minimum Side Mount Surface: 1"
- Minimum Flush Side Mount Surface: 1 7/8"

Recommended Mounting Methods for Side Mounting Shades



Measuring Instructions



Inside Mount

Use a steel tape to measure the opening at three different places, and use the narrowest dimension when ordering. Be exact! The factory will make the shade $\frac{3}{8}$ " narrower so it will not rub against the window casing. Measure the height of the window from the top (soffit) down to the sill.

Outside or Ceiling Mount

Use a steel tape to measure the exact height and width of the area to be covered. It is recommended that the shades overlap the window by at least $1\frac{1}{2}$ " on each side. When installation has no sill, allow the shade to overlap the bottom of the window casing by at least $1\frac{1}{2}$ ". Shade fabric will measure width indicated on the order form.

Measuring for Specialty Shades

Templates are required with some specialty shade and blind orders. **Please consult the individual product sections of this guide for specifics regarding accurate measurements and mounting information.**

Arches and Quarter Round Circles

- Measure the window height and width appropriately for an inside or outside mount.
- With perfect arches, the height will be one half the width. With perfect quarter rounds, height will equal width. If the arch or quarter round is perfect, a template is **not required**.
- Windows with imperfect arch measurements do not maintain the height/width relationship. Templates **are required** for these windows.

Trapezoids

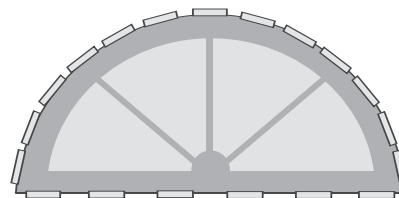
- Either the top or bottom of the shade is sloped or angled.
- Measure all four sides for accurate fabrication. Provide all measurements. Templates are **not required** for trapezoids.
- Measure the inside of the window for inside mounts.
- For outside mounts, remember to add the desired amount of overlap.
- The slope angle must be measured with a protractor. Slope is the angle between slope and a horizontal line. The maximum slope is 30 degrees.

Octagons

- Templates **are required** and must be cut out of brown craft paper.
- Measure the window height and width appropriately for an inside or outside mount. Be sure to measure the width at the shade's widest point.
- Be sure to provide the width, length and the length of one side when ordering.

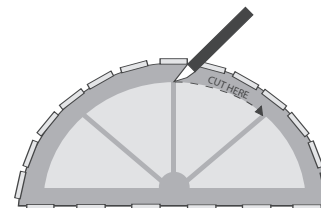
Making the Perfect Template

Tape brown craft paper over the window opening. Be sure to allow plenty of overlap and check to see that the paper is smooth and pulled taut. Do not use newspaper as the ink can rub off on fabric. Do not use paper that has been folded. Notice the outline of the framework superimposed on the template as the light filters through the window. You may create the template in one of two ways:



Trace the outline of the window with a pencil and continue along the side of the window frame. Once the window is completely traced, remove the craft paper from the window. Cut out the traced shape with a pair of scissors.

You may choose to skip tracing the window outline with a pencil and cut out the shape immediately with a razor knife.



Once your template is cut, double check its width and height with your initial measurements. **Test the template by placing it in the window.** Check for light gaps, uneven cutting of curves etc. Trim or remake if necessary.

With arch top shades, fold the template in half. Check the outline of the curve for smoothness, light gaps and curve continuity. Place the template in the window and check it for light gaps or uneven cutting of curve. Trim or remake it if necessary.

On the front of the template, mark the shade measurements along with your company name, account number, sidemark, shade style and color. Be sure to indicate inside or outside mount, the room side and which ends of the template are top and bottom. Do not take any deductions on inside mount shades. The factory will make all necessary allowances for inside mounts.

Remember: The quality of the finished shades depends heavily on the quality of the template supplied. Do not hesitate to remake a template if you feel uncomfortable of the quality of your first attempt.

Template Kits: Comfortex offers template kits which includes brown craft paper, razor knife, instructions and order form for \$5.00. Please contact Customer Service or visit www.comfortex.com to order. Stock number: 7510-00

Cellular and Pleated Shade Features at a Glance

Many Comfortex Cellular Shades share common features and benefits.

- Originally created as a solution to excessive heat loss or gain in greenhouses and solariums, Comfortex Cellular Shades are energy efficient and provide comfort in all seasons and climates.
- By using high-tech plastics, polycarbonates and ceramics, Comfortex window shades are the only line of cellular products designed to be fully washable and submersible.
- Durable, washable, dust resistant and light diffusing - our non-woven polyester cellular fabrics are a balance of dynamic form and life lasting function.
- Select what meets your creative desire for every room in your home knowing that all our light filtering cellular fabrics are pure white to the outside.
- Color coordinated components and rail flatters the total look of your windows by maintaining focus on what's important - your shades.
- Patented and functional, the Universal cordlock is fully submersible lock pulls to the inside or the outside to raise and lower the shade.
- Superior strength, unaffected by heat, less obtrusive than plastic and requiring no screws to mount to the rail, Comfortex low profile mounting brackets are the only standard cellular shade to use stainless steel, front load brackets.
- In addition to superior insulation, Comfortex window shades eliminate virtually 100% of the ultraviolet light that can destroy the texture and color of your valuable home furnishings - yet our colors never fade.
- Comfortex Ovation allows Baritone ¾" Single Honeycomb Cellular Fabrics to be used in vertical applications where sliding window treatments are ideal: over doors and wide windows and as room dividers.
- Comfortex Cellular Shades with the Motorized Lift System utilize the Omni-Rise™ head rail and are motorized with the Radio Technology Somfy™ (RTS) System. The motors will fully operate the shades with radio frequency technology.

Cleaning and Care

While beautiful and pleasing to the eye, all Comfortex products are designed to be durable, easily cared for and easily cleaned. Our non-woven fabrics are inherently anti-static and repel dust, but occasional feather dusting or vacuuming may be necessary to keep the fabrics clean and bright.

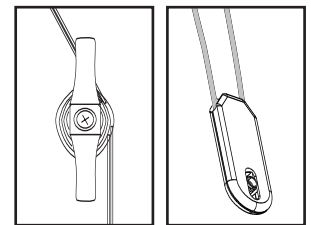
Spills and stains can be lightly blotted with a cloth or damp sponge. More difficult stains may require soaking in water with mild soap. For this, remove the shades from the window and soak in warm water. **DO NOT submerge the Cordless Ultra head rail in water.** When damp, lay flat to dry or place back in window and raise tightly to recrisp pleats. Please test any stronger cleaners on an unobtrusive portion of the shade before using.

For additional advice on care or cleaning, please contact our Technical Services Department.

Child Safety

Be aware that it is possible for children to become entangled in window covering cords. To reduce the risk of accidents, all cords must be kept out of the reach of children.

A cord cleat or cord tensioner is an effective way to implement this essential precaution. Please use them.

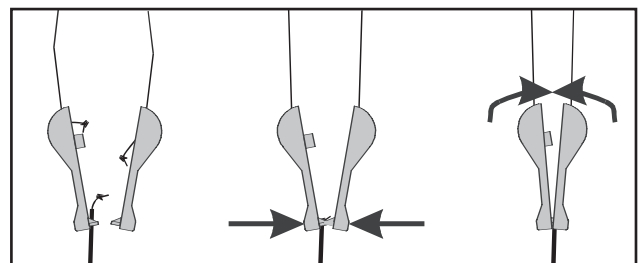


Cord Cleat

Cord
Tensioner

To mount the cord cleat at a safe height, take into account furniture or other objects upon which a child may climb. Then, after the use of the shade, simply wrap the excess cord around the cleat.

Comfortex Cellular Shades utilize the innovative Breakthrough Cord Connector. The Cord Connector is designed to break open under pressure should a child or pet become caught in the cord loop.



Breakthrough Cord Connector

Conditions of Sale

All Comfortex products are custom fabricated to your exact specifications. We cannot accept responsibility for errors in ordering or cancellations and charges after the order is in production.

Policies

Our policies are designed to provide a guide for doing business with Comfortex. Our first priority and number one policy is to provide the highest level of service and total satisfaction.

Freight: On orders for fabricated shades, our standard policy is to ship freight free via UPS Ground within the continental United States. Boxed shades, track, or vanes that do not meet the UPS size and weight requirement will ship common carrier. There will be a direct common carrier fee of \$40.00 for each order that requires this mode of transportation. In addition, a per unit transportation surcharge will be added to all fabricated product orders.

Note: Comfortex reserves the right to select another carrier, modify shipping terms or change freight policies without notice.

Service and Repair: Service may be obtained by contacting our Customer Service Department. No products, parts, components or other materials will be authorized for return or repair without prior approval from Comfortex. A *Return Authorization* (RA) may be obtained by contacting our Technical Service Department. In order to provide the quickest service possible, please have your Comfortex *Work Order* number and original order information available when you call.

Specifications: All Comfortex products are designed and tested to perform as intended within established, published parameters. Requests for "custom fabrication" of products outside of our published specifications may be considered, but are at the discretion of the Comfortex Technical Services department. Restrictions and additional charges apply. Download installation instructions, order forms or additional price list copies at www.comfortexdealers.com.

Order online at www.comfortexdealers.com

Motorized Shades Warranty

Somfy warrants their motors and motor control systems to be free from defects in materials and workmanship under normal and proper use for a period of five years starting from the date stamped on the motor. Mechanical, electrical and electronic accessories are warranted for one year from the date of invoice. Please see page 89 for complete Comfortex warranty information.

Cellular and Pleated Shade Warranty Information

Comfortex warrants that its window treatments will be free from defects in materials and workmanship for as long as the original residential purchaser owns the product, provided that the product was installed properly and in accordance with the installation instructions. The limited lifetime warranty is extended to the original residential purchaser only, in the original window for which it was installed.

The warranty does not include any conditions or damages resulting from accidents, alterations, misuse, misapplication, improper handling, installation, repairs, operation or cleaning, environmental or acts of nature. Loss of pleating is not covered if the product is not being cycled (held in the raised position a portion of the time). Normal wear and tear is not covered.

All moving parts, such as cords, will eventually wear out and fabric may fray. Comfortex considers these things as normal wear and tear and will carry a three year limited warranty.

This limited warranty does not cover transportation costs to and from the retailer, costs of removal, re-measure, or reinstallation of product, or any incidental or consequential damages.

If a Comfortex product is found to be defective in materials or workmanship, we will, at our discretion, repair, replace or refund the cost of a product which fails to conform to this limited warranty. Colors vary from lot to lot and may not exactly match sample swatch, sample book, or previous purchases. Discontinued components or color selections will be replaced with the closest equivalent current product. This shall be your sole remedy under this limited warranty.

To obtain service, contact the dealer from whom you purchased the product.

This warranty is exclusive and in lieu of all other obligations, liabilities or warranties. In no event shall Comfortex or its licensed fabricators or distributors be liable for incidental or consequential damages, or for any other damage, loss or expense, cost or fee associated with such damage. In some states, exclusions for incidental or consequential damages are not allowable.

This warranty gives you specific legal rights, and you may also have other rights, which vary from state to state. Policy is subject to change without notice.

This limited warranty is exclusive of commercial use. Contact Comfortex Technical Service for more information. No agent, representative, dealer or unauthorized employee has the authority to increase or alter the obligation of this warranty.

This limited warranty supersedes any previous versions.